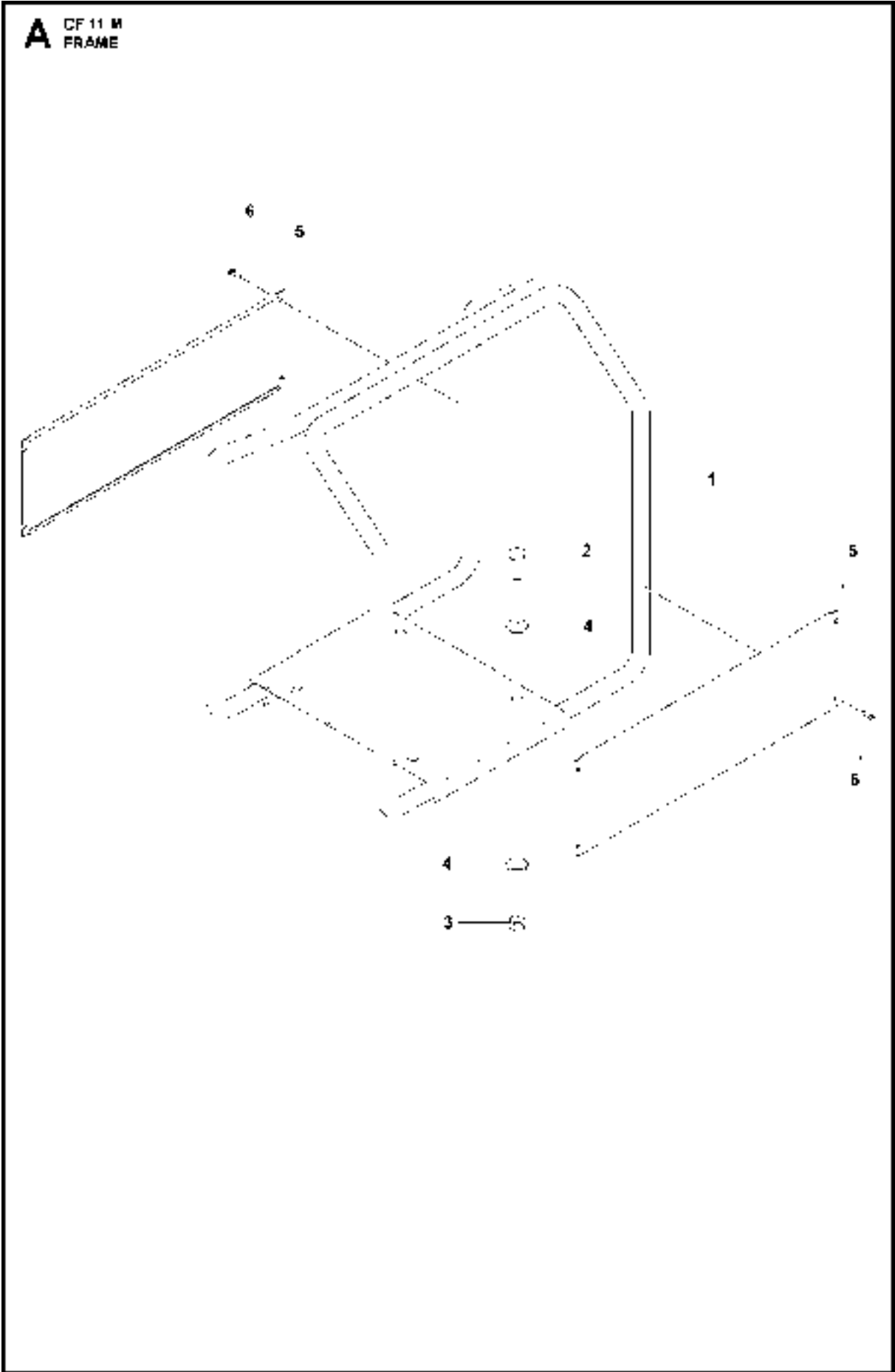




SPARE PARTS LIST

POKERS

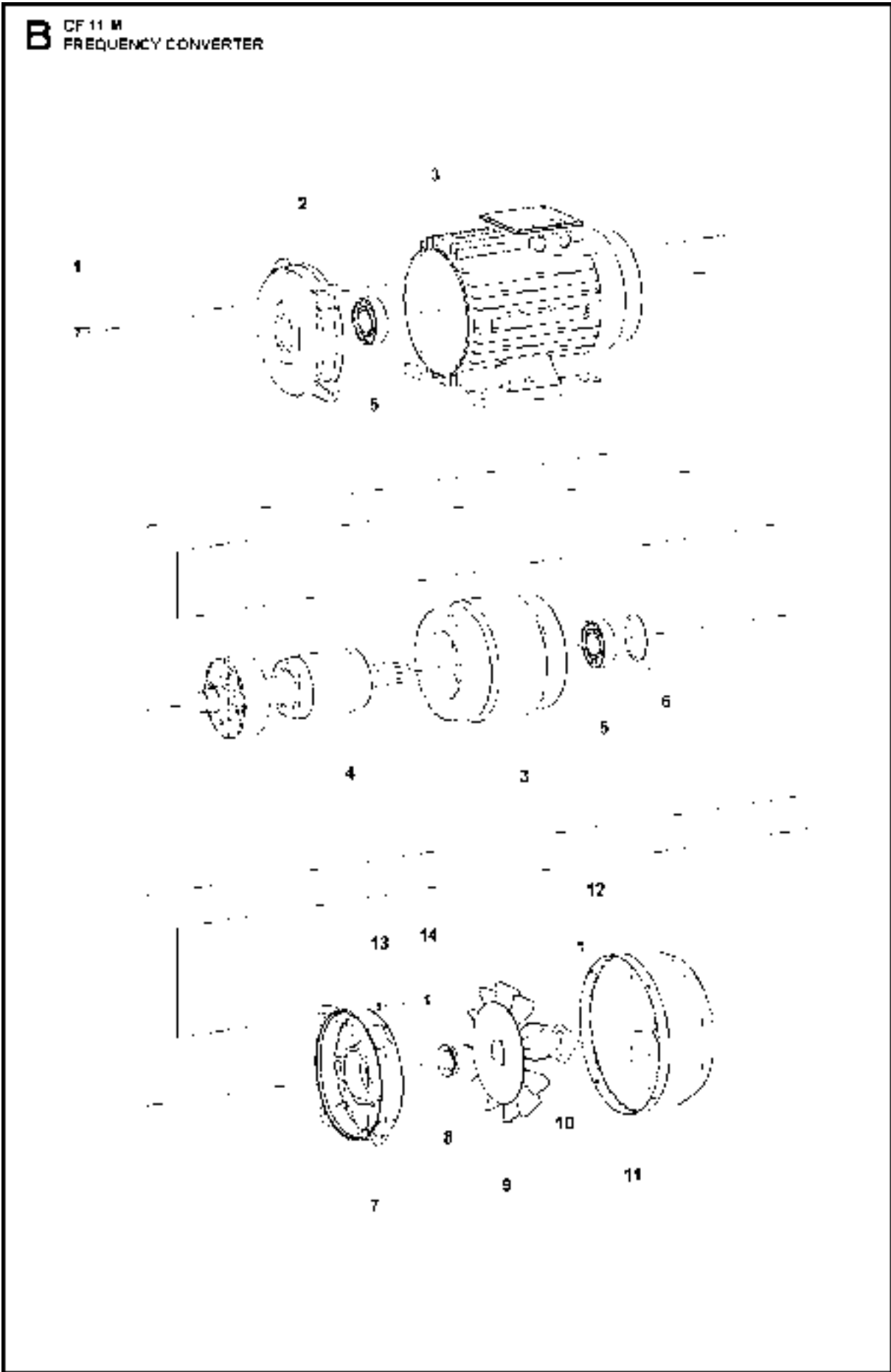
CF 11 M, 2020-06



FRAME

CF 11 M, 2020-06

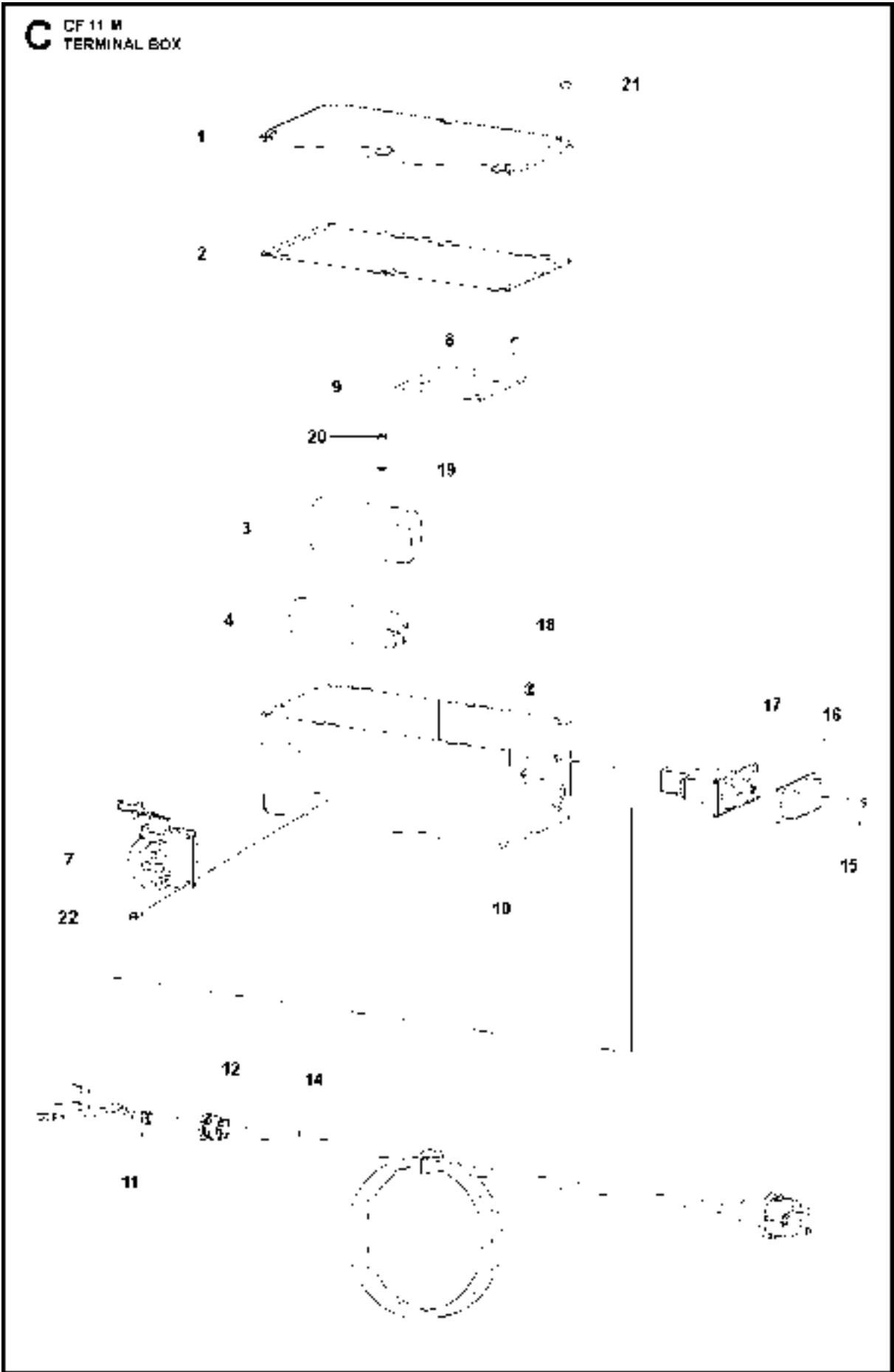
Ref	Part No	Description	Remark	QTY KIT
1	599 73 57-01	FRAME		1
2	595 03 34-01	SCREW	M8x25, ISO4014, 8.8, FZB	4
3	595 18 08-01	NUT	M6, ISO4032, ZnB	4
4	595 11 36-01	WASHER	M8, ISO10670, ZnB	8
5	599 74 04-01	PLATE		2
6	594 28 24-01	SCREW		8



FREQUENCY CONVERTER

CF 11 M, 2020-06

Ref	Part No	Description	Remark	QTY KIT
1	595 47 47-01	ROD		4
2	595 47 43-01	FLANGE		1
3	599 73 58-01	GENERATOR	Generator 230V-1-50Hz	1
4	595 47 48-01	ROTOR		1
5	594 61 94-01	BEARING		2
6	595 47 45-01	WASHER		1
7	595 47 46-01	FLANGE		1
8	594 86 01-01	GASKET	Seal V-25A	1
9	594 62 07-01	FAN		1
10	594 62 08-01	RING		1
11	597 20 43-01	FAN COVER		1
12	599 14 25-01	SCREW	ST3.5x9.5, ISO7049, A2	4
13	599 14 24-01	SPRING WASHER	M5, DIN7980, Grower	4
14	731 23 14-01	HEXAGON NUT	M5, ISO4032, A2	4

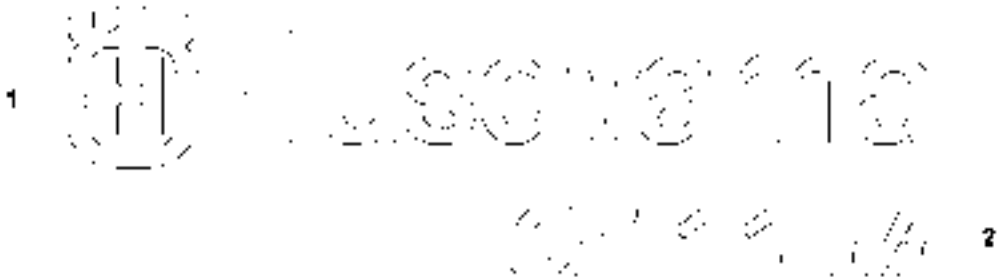


TERMINAL BOX

CF 11 M, 2020-06

Ref	Part No	Description	Remark	QTY KIT
1	595 19 83-01	COVER		1
2	595 47 36-01	GASKET		1
3	595 19 63-01	CAPACITOR	Capacitor 30 μ F/480V	1
4	595 47 49-01	CAPACITOR	Capacitor 22 μ F/450V	1
7	595 52 42-01	PLUG	Outlet 42V/32A	1
8	599 14 26-02	SCREW	M4x12, ISO7045, ZnB	4
9	595 19 62-01	GASKET		1
10	599 73 59-01	HOUSING		1
11	595 52 45-01	BRACKET		1
12	595 19 48-01	CABLE		1
14	595 47 50-01	CABLE		1
15	599 14 26-02	SCREW	M4x16, ISO7045, ZnB	2
16	594 61 84-01	DIAPHRAGM		1
17	594 62 13-01	SWITCH		1
18	595 06 92-01	LOCK NUT	M4, ISO10511, A2	2
19	595 18 23-01	WASHER	M4, DIN6798A, A2	1
20	599 14 26-02	SCREW	M4x10, ISO7045, ZnB	1
21	599 14 25-02	SCREW	ST3,9x9.5, ISO7049, A2	6
22	599 14 25-03	SCREW	ST3,9x13, ISO7049, A2	4

D CF 11 M
DECALS



DECALS

CF 11 M, 2020-06

Ref	Part No	Description	Remark	QTY KIT
1	501 13 14-01	DECAL		2
2	599 74 03-01	DECAL		2