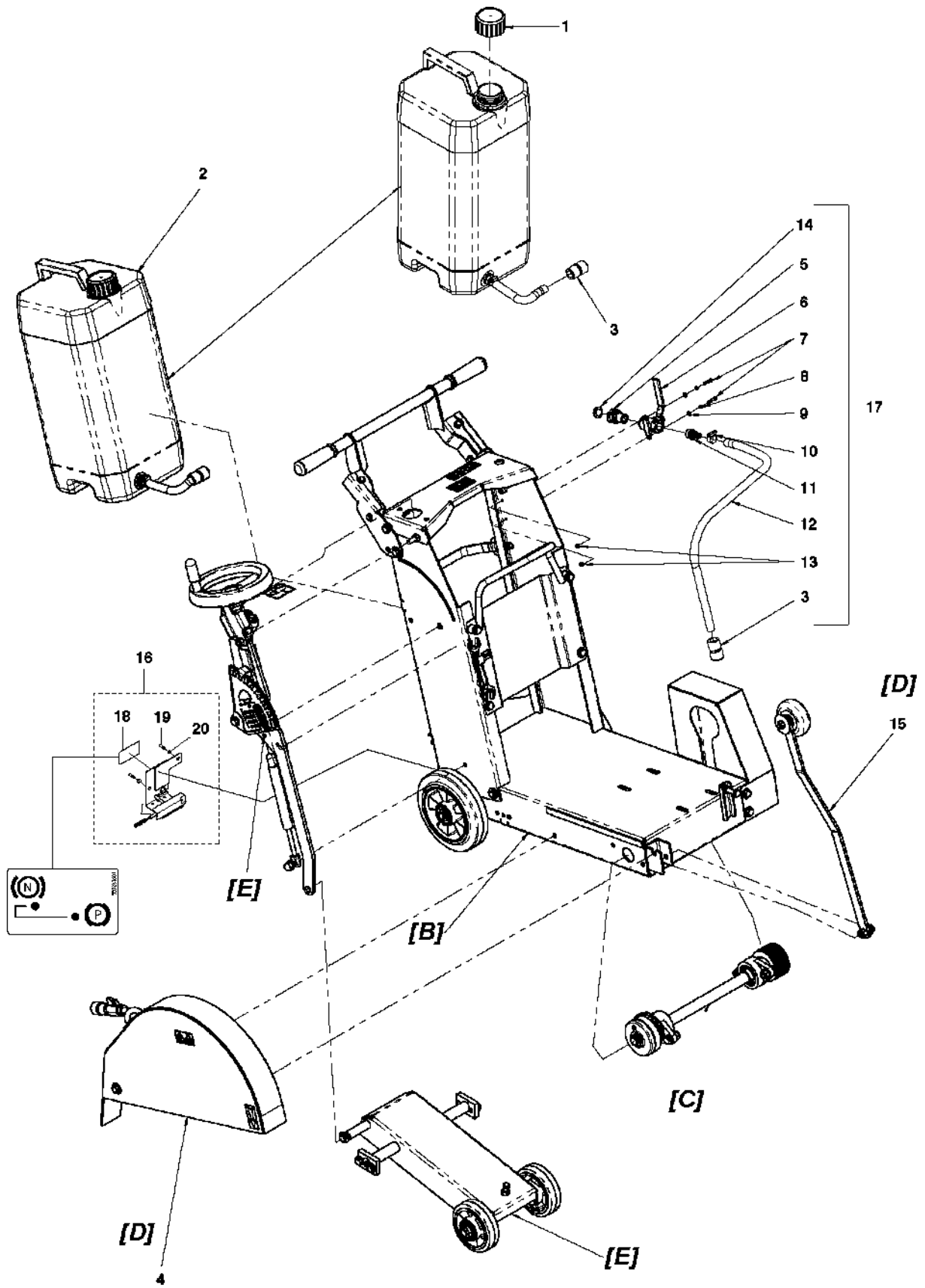




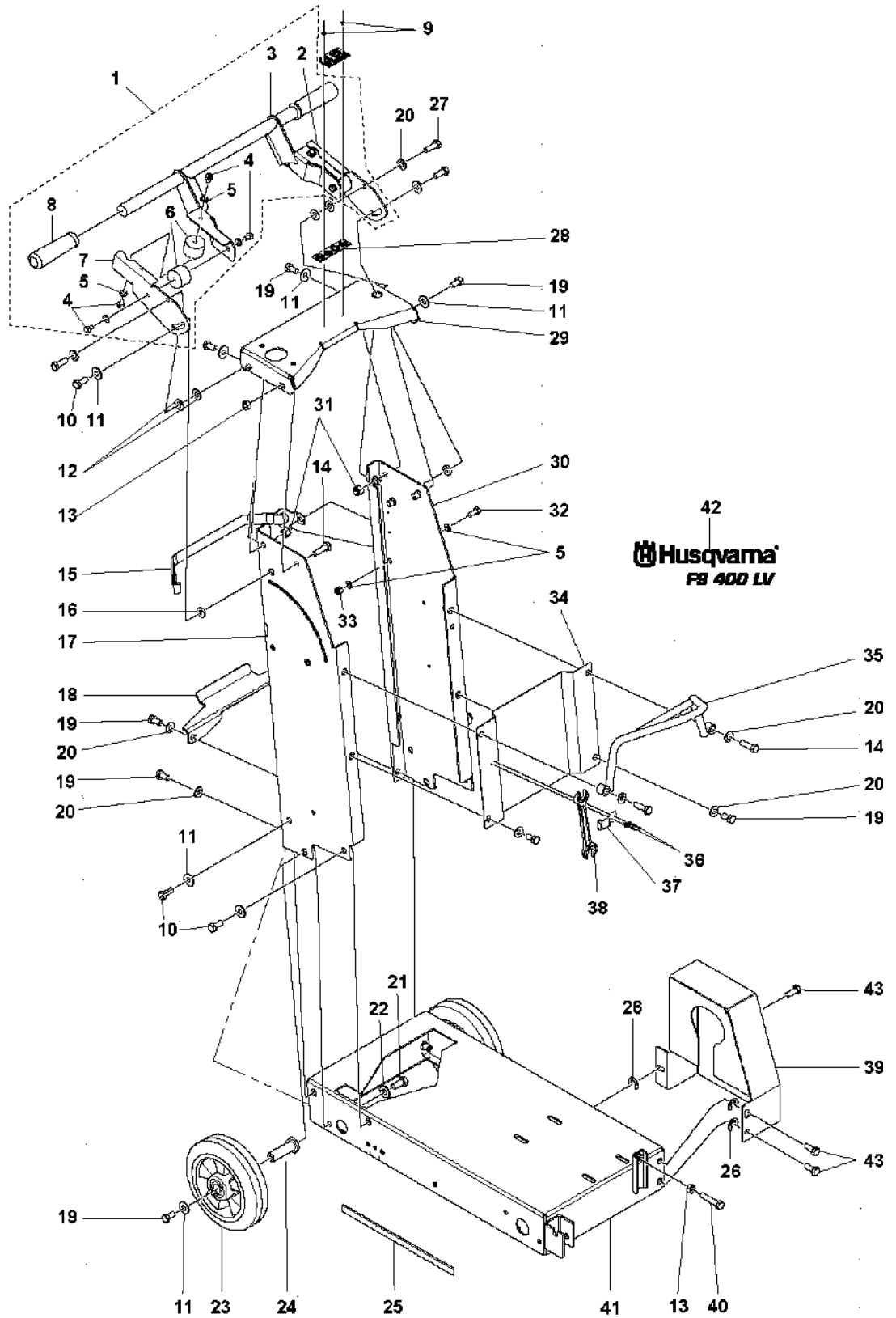
SPARE PARTS LIST

FLOOR SAWS

FS400 LV, 2014-08

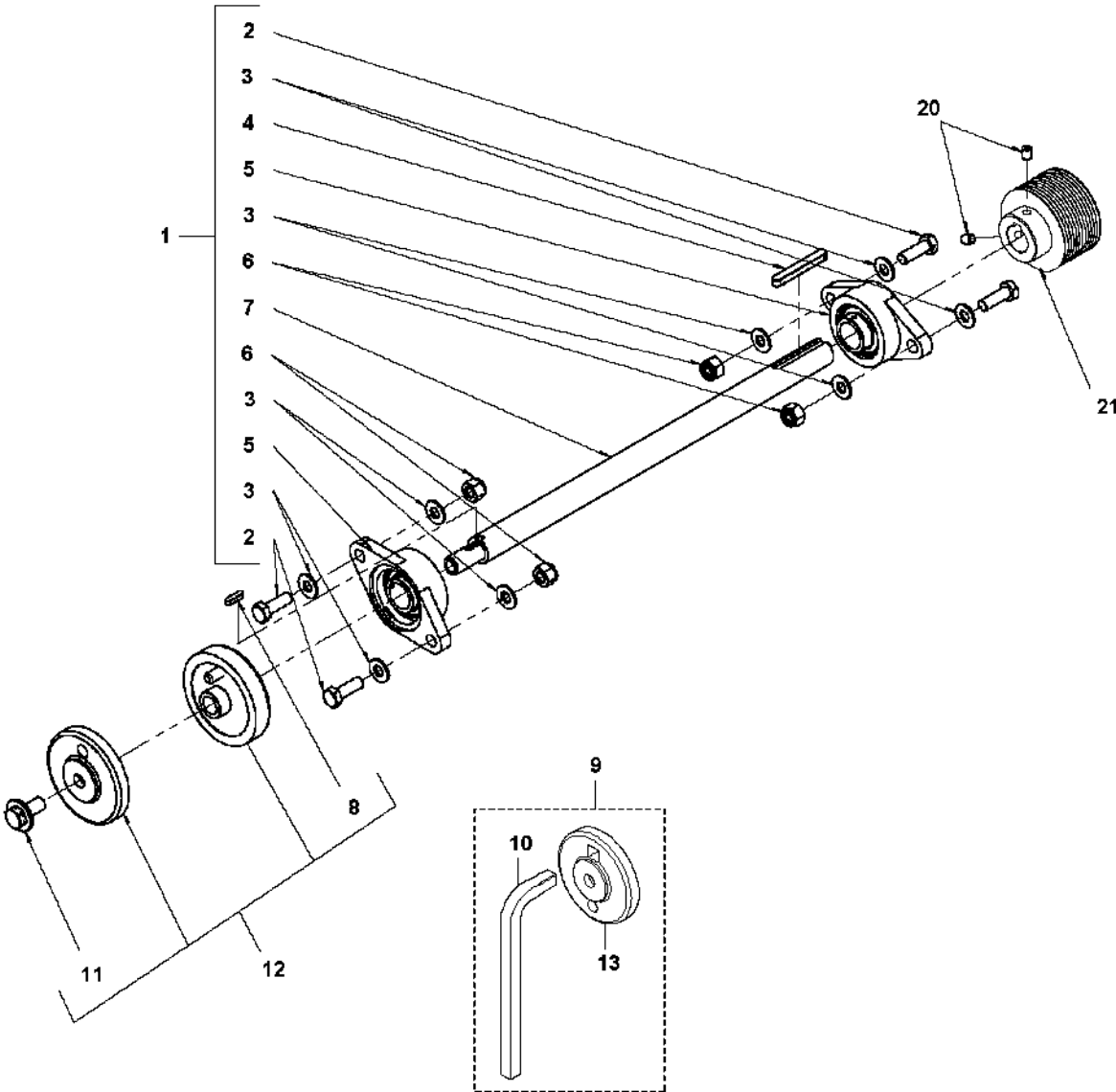


| Ref | Part No | Description | Remark | QTY | KIT |
|-----|--------------|---------------------|---------|-----|-----|
| 1 | 543 04 55-99 | PLUG | | 1 | |
| 2 | 543 04 98-99 | RESERVOIR | | 1 | |
| 3 | 543 04 56-12 | QUICK COUPLING | | 2 | |
| 4 | 502 08 29-01 | BLADE GUARD | | 1 | |
| 5 | 542 20 23-08 | FITTING | | 1 | |
| 6 | 505 21 34-01 | VALVE | | 1 | |
| 7 | 725 22 95-71 | SCREW EHHM | | 2 | |
| 8 | 735 21 64-01 | LOCKWASHER | | 2 | |
| 9 | 734 11 36-01 | WASHER | | 2 | |
| 10 | 543 85 03-44 | CLIP | | 1 | |
| 11 | 542 20 23-21 | FITTING | | 1 | |
| 12 | 543 04 55-80 | HOSE | 1 Meter | 1 | |
| 13 | 732 25 12-01 | HEXAGON LOCKING NUT | | 2 | |
| 14 | 542 04 56-40 | WASHER | | 1 | |
| 15 | 504 06 92-01 | KIT | | 1 | |
| 16 | 582 63 96-01 | BRAKE | | 1 | |
| 17 | 542 20 23-15 | SIDE LAMINATE | US | 1 | |
| 18 | 582 23 16-01 | DECAL | | 1 | |
| 19 | 725 24 91-71 | SCREW EHHM | | 2 | 16 |
| 20 | 734 11 72-01 | WASHER | | 2 | 16 |

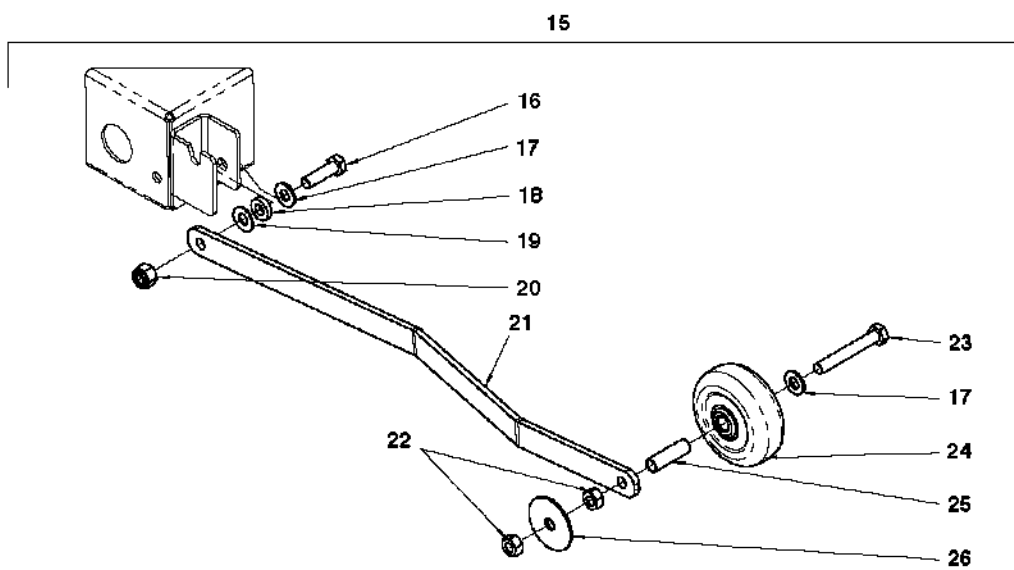
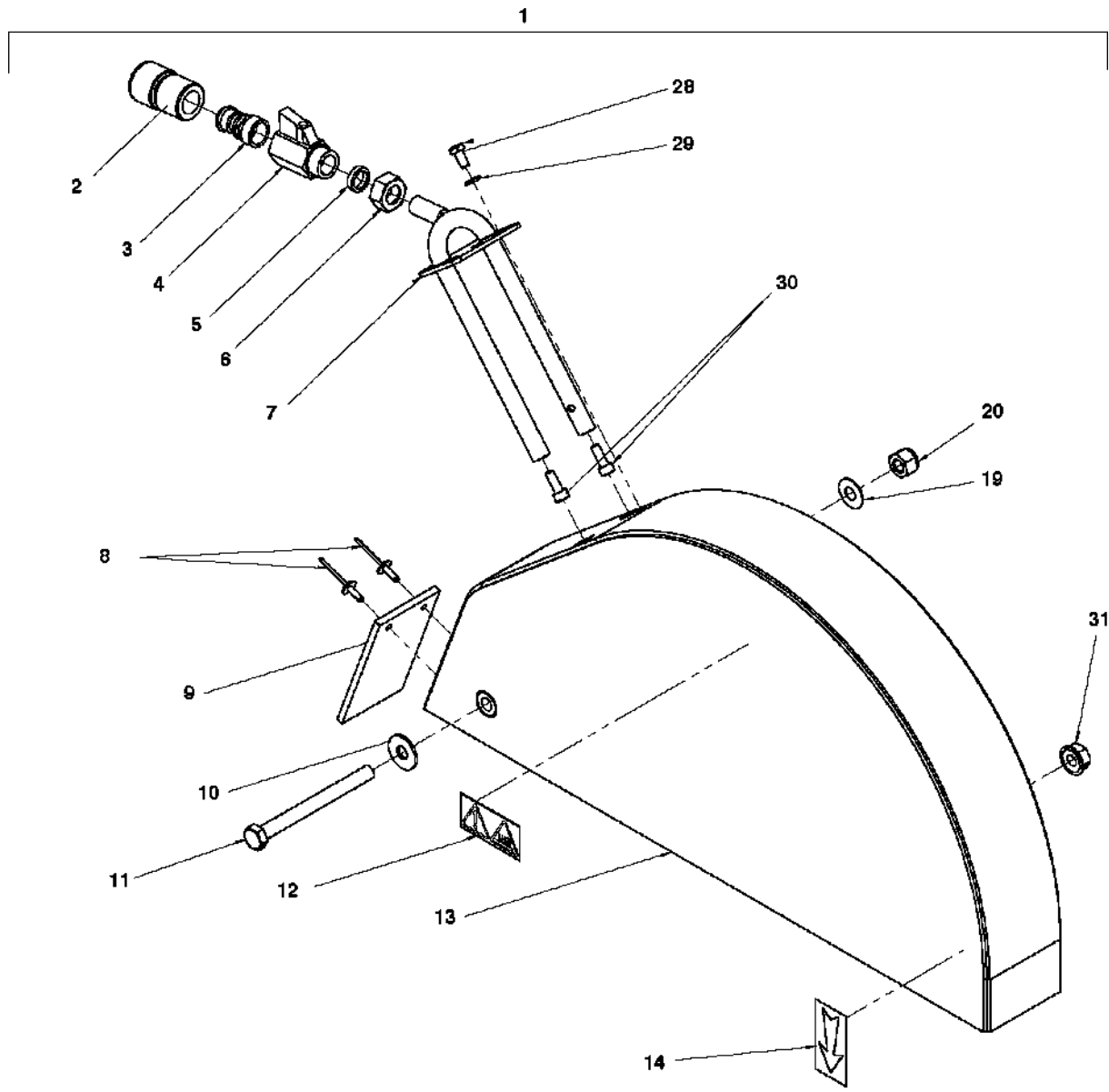


| Ref | Part No | Description | Remark | QTY | KIT |
|-----|--------------|-----------------------|----------------------------------|-----|-----|
| 1 | 585 24 71-01 | HANDLE | | 1 | |
| 2 | 544 95 11-01 | ARM | | 1 | |
| 3 | 581 79 39-02 | HANDLE ASSY | | 1 | |
| 4 | 725 24 47-71 | SCREW EHHM | | 8 | |
| 5 | 734 11 63-01 | WASHER | | 10 | |
| 6 | 581 81 28-01 | ANTIVIBRATION ELEMENT | | 4 | |
| 7 | 544 95 10-01 | ARM | | 1 | |
| 8 | 542 13 95-68 | GRIP | | 1 | 1 |
| 9 | 722 78 18-03 | RIVET | | 2 | |
| 10 | 725 24 93-71 | SCREW EHHM | | 6 | |
| 11 | 734 11 74-41 | WASHER | | 11 | |
| 12 | 543 04 47-32 | WASHER | | 4 | |
| 13 | 731 23 20-01 | HEXAGON NUT | | 2 | |
| 14 | 725 24 97-71 | SCREW EHHM | | 3 | |
| 15 | 596 97 66-01 | BELT | | 1 | |
| 16 | 543 04 66-33 | WASHER | | 2 | |
| 17 | 544 95 05-01 | PANEL | | 1 | |
| 18 | 544 95 00-01 | SUPPORT | | 1 | |
| 19 | 725 24 91-71 | SCREW EHHM | | 11 | |
| 20 | 734 11 72-01 | WASHER | | 10 | |
| 21 | 725 25 34-71 | SCREW EHHM | | 2 | |
| 22 | 734 11 78-01 | WASHER | | 2 | |
| 23 | 543 04 59-51 | WHEEL | | 2 | |
| 24 | 543 04 25-15 | WHEEL AXLE | | 2 | |
| 25 | 543 04 60-68 | SEALING STRIP | | 1 | |
| 26 | 502 08 30-01 | LOCKWASHER | | 2 | |
| 27 | 725 24 95-71 | SCREW EHHM | | 2 | |
| 28 | 543 04 58-53 | DECAL | | 1 | |
| 29 | 504 06 85-01 | CONSOLE | | 1 | |
| 30 | 544 95 06-04 | PANEL | US and EU | 1 | |
| 31 | 732 25 20-01 | HEXAGON LOCKING NUT | | 2 | |
| 32 | 725 24 51-71 | SCREW EHHM | | 1 | |
| 33 | 732 21 18-01 | LOCK NUT | | 1 | |
| 34 | 544 94 98-01 | PROTECTIVE PLATE | | 1 | |
| 35 | 544 94 99-01 | LIFT | | 1 | |
| 36 | 543 85 01-03 | RIVET | | 2 | |
| 37 | 543 04 62-03 | SPRING | | 1 | |
| 38 | 543 04 59-04 | WRENCH | | 1 | |
| 39 | 582 51 47-03 | BELT GUARD | | 1 | |
| 40 | 725 25 01-71 | SCREW EHHM | | 1 | |
| 41 | 544 95 03-01 | FRAME | 450mm before S/N: 20184300135 | 1 | |
| 41 | 590 92 16-01 | BASEPLATE | | 1 | |
| 42 | 586 62 71-01 | DECAL | | 1 | |
| 43 | 585 97 31-01 | SCREW EHHFM | | 3 | |

FOR SERIAL NUMBERS BEFORE 2013 2100001, SEE SERVICE BULLETIN SB1300036

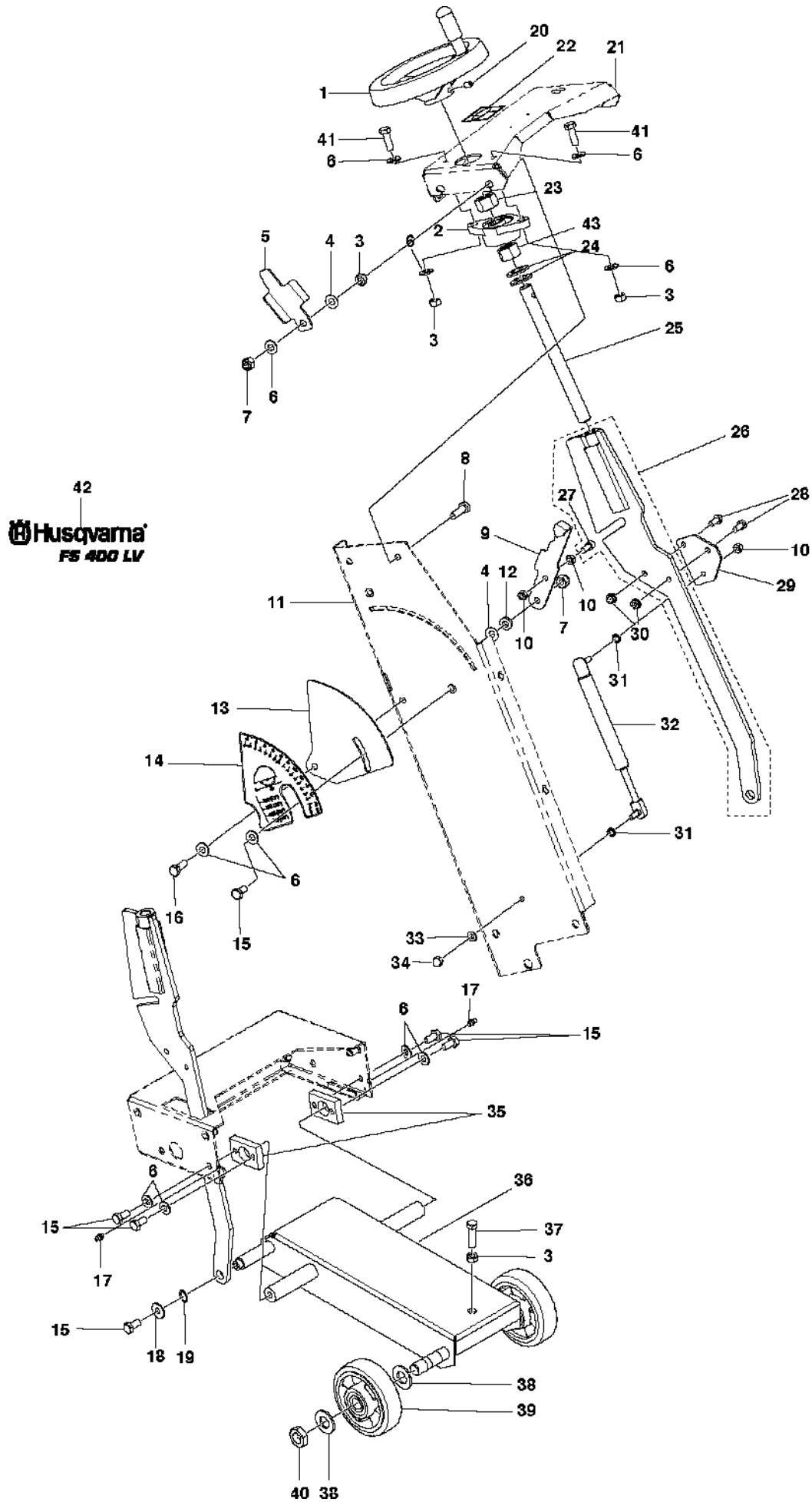


| Ref | Part No | Description | Remark | QTY KIT |
|-----|--------------|---------------------|---|---------|
| 1 | 585 31 34-01 | BLADE SHAFT | S/N before 2013 2100001, see service bulletin SB1300036 | 1 |
| 2 | 725 24 95-71 | SCREW EHHM | | 4 |
| 3 | 734 11 72-01 | WASHER | | 8 |
| 4 | 543 04 47-96 | KEY | | 1 |
| 5 | 543 04 50-52 | BEARING | | 2 |
| 6 | 732 25 20-01 | HEXAGON LOCKING NUT | | 4 |
| 7 | 581 18 91-01 | BLADE SHAFT | S/N before 2013 2100001, see service bulletin SB1300036 | 1 |
| 8 | 581 49 28-01 | KEY | S/N before 2013 2100001, see service bulletin SB1300036 | 2 |
| 11 | 543 07 73-44 | SCREW | | 1 |
| 12 | 585 31 35-01 | FLANGE | S/N before 2013 2100001, see service bulletin SB1300036 | 1 |
| 20 | 728 74 45-05 | SCREW IHSETM | | 2 |
| 21 | 543 04 65-71 | BLADE SHAFT | | 1 |
| 10 | 597 82 60-01 | TOOL | | 1 |
| 13 | 597 82 34-01 | FLANGE | | 1 |
| 9 | 598 74 67-01 | TOOL KIT | | 1 |



D

| Ref | Part No | Description | Remark | QTY KIT |
|-----|--------------|--------------------------------|--------|---------|
| 1 | 502 08 29-01 | BLADE GUARD | 450mm | 1 |
| 1 | 593 58 62-01 | BLADE GUARD | 500mm | 1 |
| 2 | 543 04 56-12 | QUICK COUPLING | | 1 |
| 3 | 543 04 56-10 | ADAPTER | | 1 |
| 4 | 543 04 55-39 | TAP | | 1 |
| 5 | 543 04 55-60 | COLLET | | 1 |
| 6 | 543 04 55-61 | NUT | | 1 |
| 7 | 593 11 17-01 | NOZZLE ASSY | | 1 |
| 8 | 722 79 44-02 | RIVET | | 2 |
| 9 | 543 04 28-75 | RUBBER DEFLECTOR/FS450F/FS350C | | 1 |
| 10 | 734 11 74-41 | WASHER | | 1 |
| 11 | 725 25 15-51 | SCREW EHHM | | 1 |
| 12 | 543 04 58-82 | DECAL | | 1 |
| 13 | 544 95 09-01 | BLADE GUARD | 450mm | 1 |
| 13 | 590 77 05-01 | BLADE GUARD | 500mm | 1 |
| 14 | 543 85 00-37 | STICKER | | 1 |
| 15 | 504 06 92-01 | KIT | | 1 |
| 16 | 725 24 97-71 | SCREW EHHM | | 1 |
| 17 | 734 11 72-01 | WASHER | | 2 |
| 18 | 543 04 66-33 | WASHER | | 1 |
| 19 | 543 04 47-32 | WASHER | | 2 |
| 20 | 732 25 20-01 | HEXAGON LOCKING NUT | | 2 |
| 21 | 504 06 91-01 | POINTER | | 1 |
| 22 | 731 23 20-01 | HEXAGON NUT | | 2 |
| 23 | 725 25 05-51 | SCREW EHHM | | 1 |
| 24 | 543 04 59-32 | WHEEL | | 1 |
| 25 | 542 20 20-75 | BUSHING | | 1 |
| 26 | 542 20 21-06 | WASHER | | 1 |
| 28 | 725 23 66-71 | SCREW EHHM | | 1 |
| 29 | 734 11 52-01 | WASHER | | 1 |
| 30 | 725 53 68-01 | SCREW IHSCM | | 2 |
| 31 | 731 71 20-51 | HEXAGON NUT FLANGE | | 1 |
| 32 | 597 08 62-01 | DECAL | | 1 |
| 33 | 502 08 30-01 | LOCKWASHER | | 1 |



HEIGHT ADJUSTMENT

FS400 LV, 2014-08

| Ref | Part No | Description | Remark | QTY KIT |
|-----|--------------|---------------------|----------------------------------|---------|
| 1 | 543 07 62-94 | HANDLE | | 1 |
| 2 | 504 79 89-01 | BEARING | | 1 |
| 3 | 731 23 20-01 | HEXAGON NUT | | 4 |
| 4 | 543 04 47-32 | WASHER | | 2 |
| 5 | 543 07 66-51 | PLATE | | 1 |
| 6 | 734 11 72-01 | WASHER | | 11 |
| 7 | 732 25 20-01 | HEXAGON LOCKING NUT | | 2 |
| 8 | 725 24 97-71 | SCREW EHHM | | 1 |
| 9 | 590 77 44-01 | DEPTH GAUGE | | 1 |
| 9 | 543 07 45-15 | HEIGHT ADJUSTER | 450mm before S/N: 20184300135 | 1 |
| 10 | 731 23 18-01 | HEXAGON NUT | | 3 |
| 11 | 544 95 05-01 | PANEL | | 1 |
| 12 | 543 04 66-33 | WASHER | | 1 |
| 13 | 543 07 96-29 | SUPPORT | 450mm before S/N: 20184300135 | 1 |
| 13 | 591 43 45-01 | PLATE | | 1 |
| 14 | 543 07 96-19 | STICKER | 450mm before S/N: 20184300135 | 1 |
| 14 | 591 43 46-01 | DECAL | | 1 |
| 15 | 725 24 91-71 | SCREW EHHM | | 6 |
| 16 | 725 24 95-71 | SCREW EHHM | | 1 |
| 17 | 504 20 45-01 | GREASE | | 2 |
| 18 | 734 11 74-41 | WASHER | | 1 |
| 19 | 543 85 03-52 | WASHER | | 1 |
| 20 | 728 74 47-05 | SCREW IHSETM | | 1 |
| 21 | 504 06 85-01 | CONSOLE | | 1 |
| 22 | 543 07 12-67 | LABEL | | 1 |
| 23 | 543 04 47-72 | NUT | | 2 |
| 24 | 543 07 63-29 | WASHER | | 4 |
| 25 | 543 04 28-61 | HEIGHT ADJUSTER | | 1 |
| 26 | 587 22 43-01 | HEIGHT ADJUSTER | 450mm before S/N: 20184300135 | 1 |
| 26 | 593 11 27-01 | HEIGHT ADJUSTER | | 1 |
| 27 | 725 54 51-01 | SCREW IHSCM | | 1 26 |
| 28 | 725 24 51-71 | SCREW EHHM | | 2 |
| 29 | 543 07 45-26 | GAS SPRING | | 1 |
| 30 | 731 71 18-51 | HEXAGON NUT FLANGE | | 2 |
| 31 | 735 11 64-01 | SPRING WASHER | | 2 |
| 32 | 543 07 62-93 | SPRING | | 1 |
| 33 | 734 11 63-01 | WASHER | | 1 |
| 34 | 543 04 47-66 | NUT | | 1 |
| 35 | 543 04 19-59 | CLAMP | | 2 |
| 36 | 544 95 04-01 | CARRIAGE | | 1 |
| 37 | 725 24 99-71 | SCREW EHHM | | 1 |
| 38 | 543 04 02-17 | WASHER | | 4 |
| 39 | 543 04 59-49 | WHEEL | | 2 |
| 40 | 543 04 47-57 | NUT | | 2 |
| 41 | 725 24 95-71 | SCREW EHHM | | 2 |
| 42 | 586 62 71-01 | DECAL | | 2 |
| 43 | 590 91 43-01 | LOCKING PLATE | | 1 |

ENGINE

FS400 LV, 2014-08

| Ref | Part No | Description | Remark | QTY KIT |
|-----|--------------|---------------------|--------------------|---------|
| 1 | 588 76 85-01 | BELT | | 1 |
| 2 | 732 25 20-01 | HEXAGON LOCKING NUT | | 4 |
| 3 | 734 11 74-41 | WASHER | | 4 |
| 4 | 542 18 22-52 | CORD | | 2 |
| 5 | 725 23 66-61 | SCREW EHHFT | | 1 |
| 6 | 543 04 78-52 | SOCKET | | 1 |
| 7 | 543 04 50-99 | WIRE HOLDER | | 5 |
| 9 | 543 04 57-88 | DECAL | | 1 |
| 10 | 543 04 58-71 | DECAL | | 1 |
| 11 | 582 10 15-01 | STOP SWITCH | | 1 |
| 12 | 543 04 78-41 | EXHAUST | HONDA | 1 |
| 13 | 542 20 21-51 | OIL | | 1 |
| 15 | 728 74 45-05 | SCREW IHSETM | | 2 |
| 16 | 543 04 65-72 | PULLEY | | 1 |
| 17 | 587 61 38-01 | PLATE KIT | | 1 |
| 18 | 725 25 02-51 | SCREW EHHM | | 4 |
| 19 | 577 96 12-01 | ENGINE | Honda GX390UTQXC9 | 1 |
| 19 | 574 18 11-03 | ENGINE | Honda GX390H1-QXHQ | 1 |